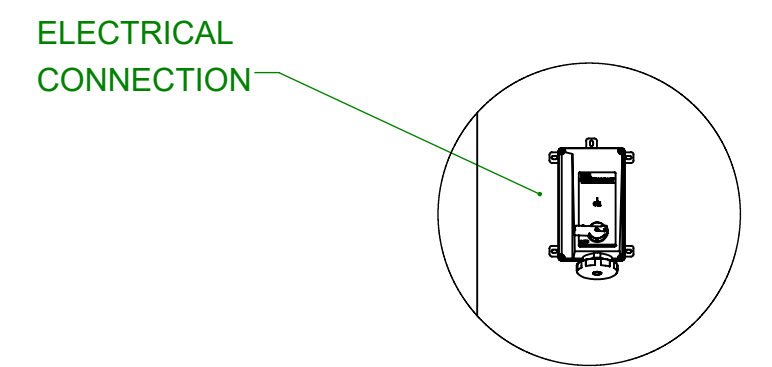
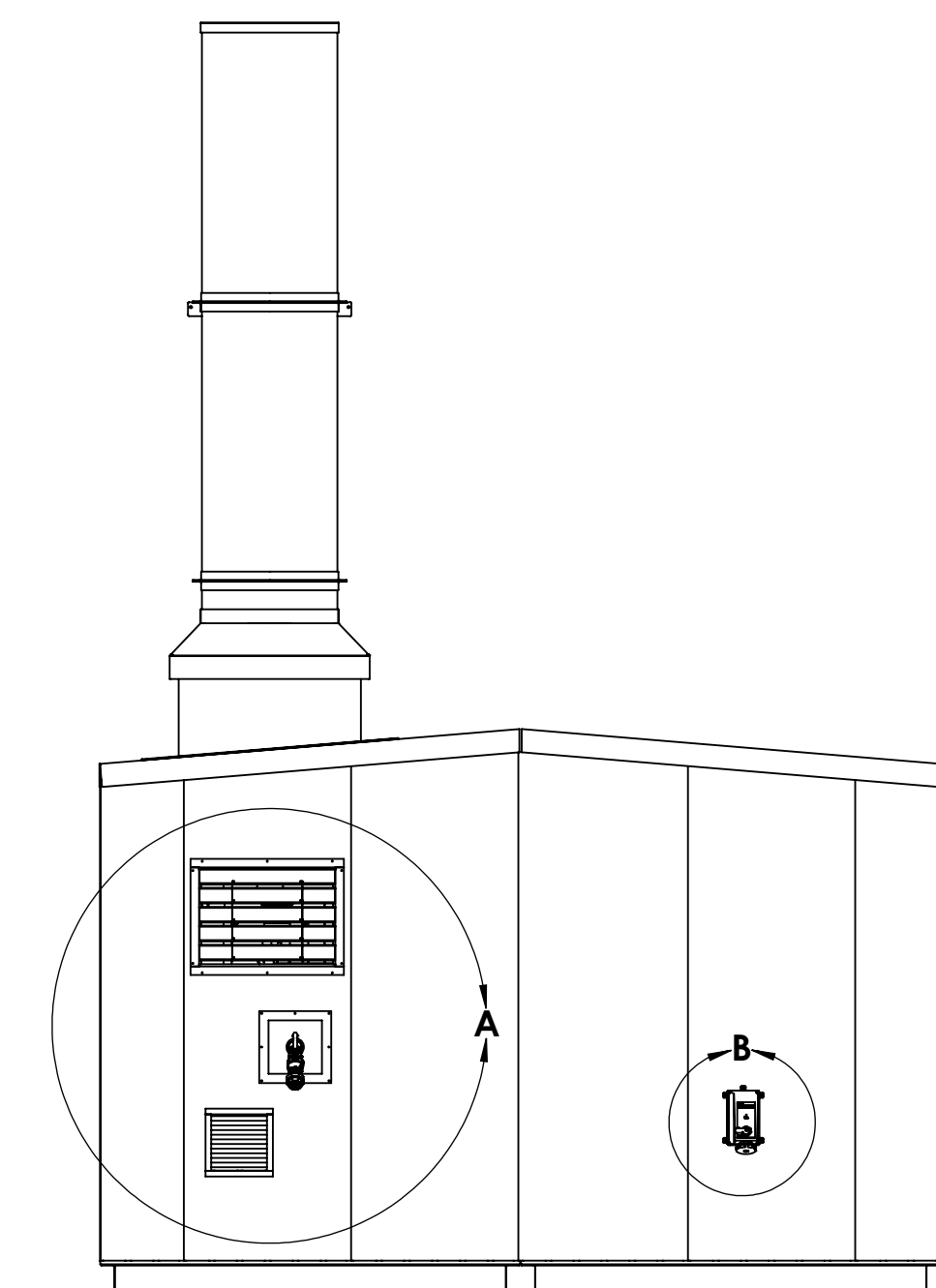
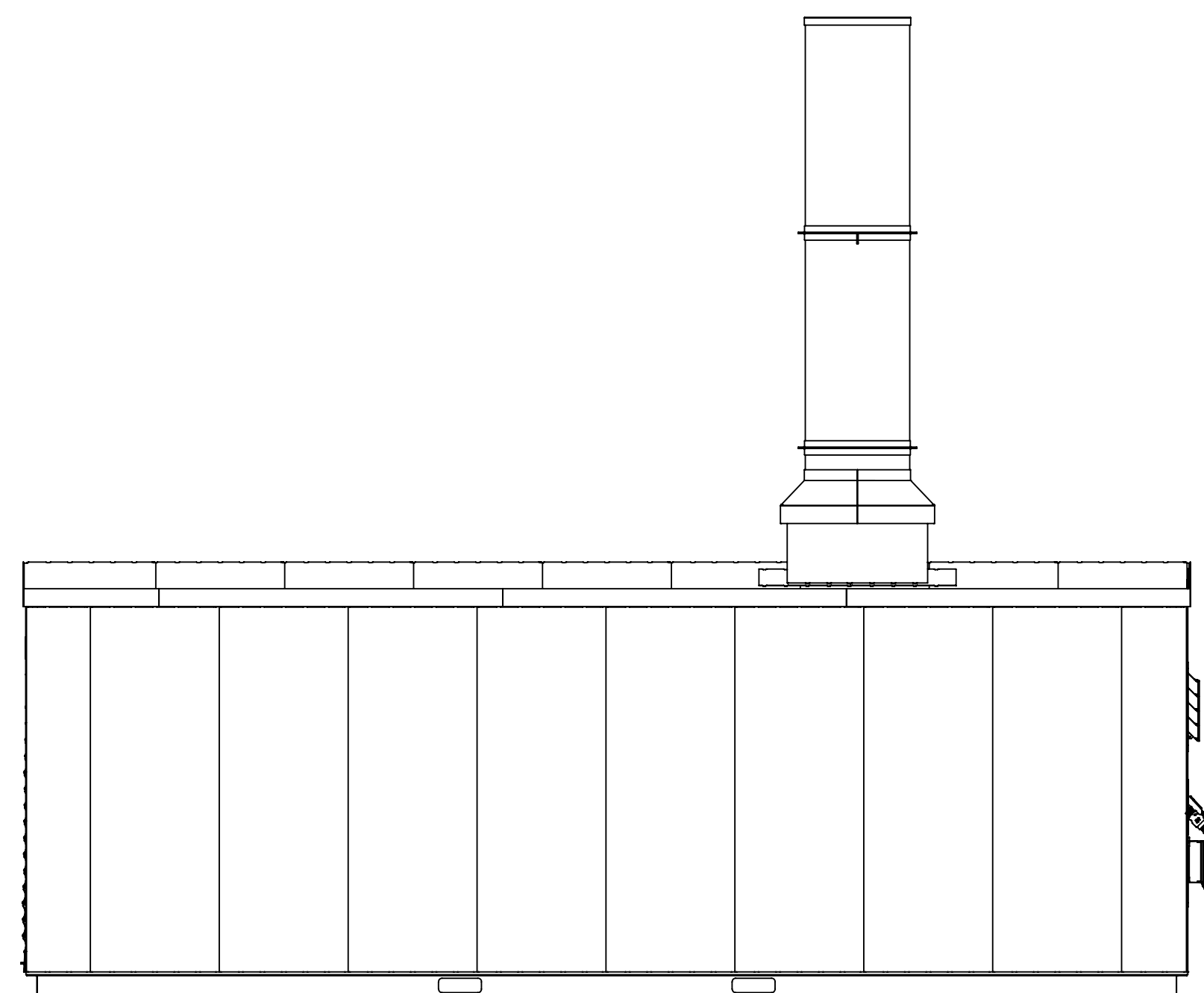
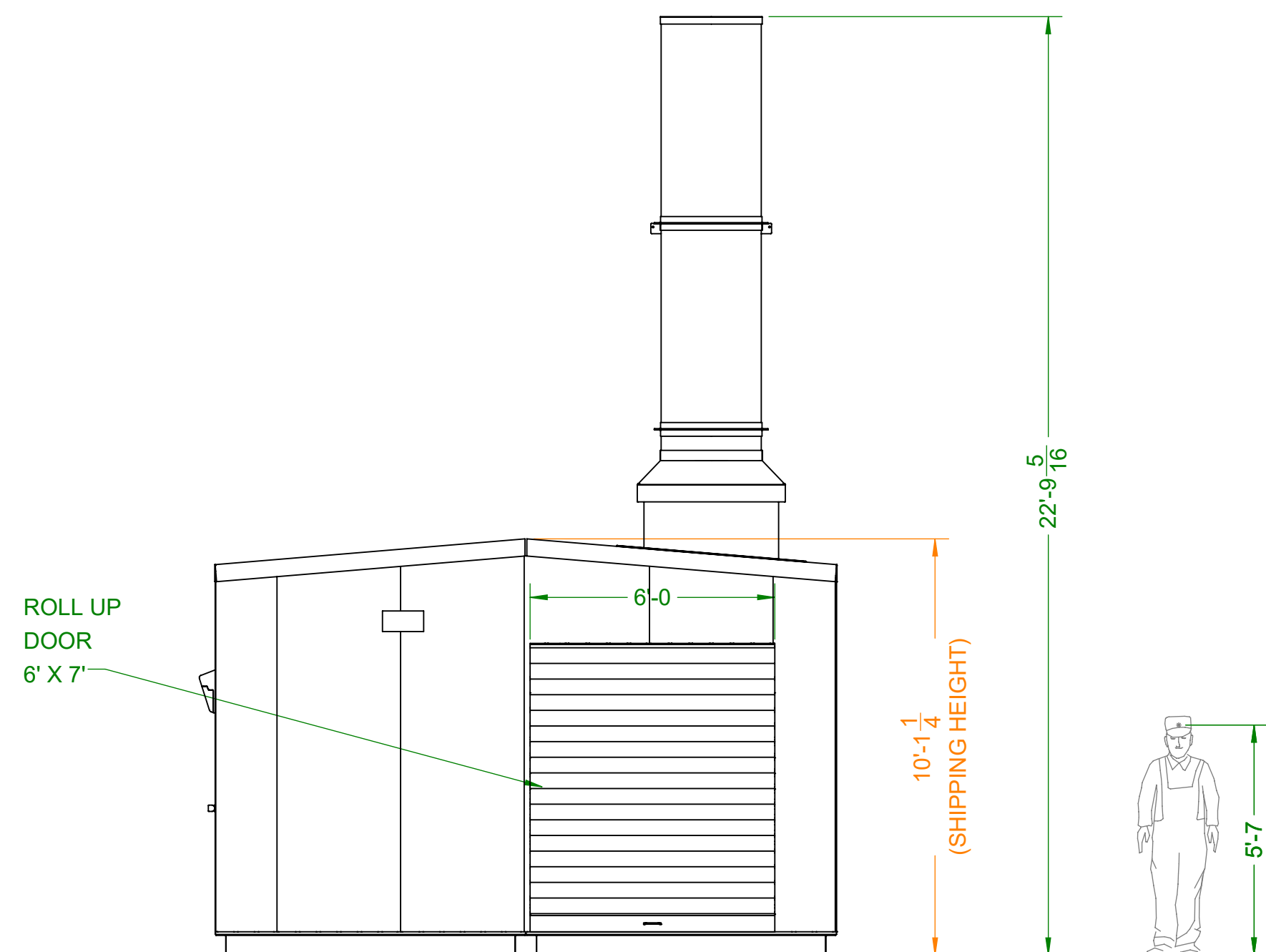


DETAIL A  
SCALE 1 : 20



DETAIL B  
SCALE 1 : 20

No.	DATE	BY	REVISION	DESCRIPTION
0	6/24/20	MTH	FOR CONSTRUCTION	



TITLE	MOCx GENERAL ARRANGEMENT	SCALE	1:40
	EXTERIOR - RIGHT SIDE CREMATOR	DRN	MTH 4/30/20
	MODX DEVELOPMENT		
CUST	ARMIL CFS (SOUTH HOLLAND, IL)	SHEET	DWG No.
		1/1	16220GA1-R
			REV
			0

NOTICE: THIS PRINT IS OUR PROPERTY AND SUBJECT TO RETURN UPON DEMAND. ALL RIGHTS OF DESIGN AND INVENTION ARE RESERVED.	SCALE	1:40
	DRN	MTH 4/30/20