

# PET200

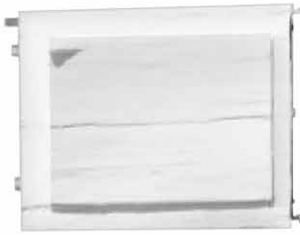
## Pet cremation machine for all house pets

The PET 200 pet retort is designed to be the most efficient solution for cremating medium to large pets. Front opening for ease of loading and de-ashing to optimize your daily throughput.

Designed for safety, performance, and efficiency.

The Pet200 Hot Hearth retort continuously recycles heat throughout the cremation chamber, providing 360° heating, reducing cremation time.

Unrivalled in its field, boasting a 40% reduction in fuel consumption compared to alternative solutions.



**addfield**  
pet cremation solutions

### The addfield difference

- Pre-fabricated 5/16" and 3/8" robust mild steel casing, seam welded, stiffened and braced where necessary.
- Lightweight, resilient refractory fiber insulation door, providing a tight seal, giving excellent thermal efficiency.
- Primary chamber lining thickness of 7 inches, rated up to 2,642°F.
- Premium paint finish – Steel structures are painted using a two-component, high grade paint system.
- Unique Hot Hearth technology enabling increased efficiency of cremation by providing additional heating below the chamber, encouraging 360° heat distribution.
- Multi-layered refractory lining using fire bricks and insulation bricks, improving thermal efficiency.

### Optional Operation Equipment



#### Hydraulic Lift Table

Provides an easier way of lifting weights up to 330 lbs., has an extended bed for safer loading.

Height adjustable up to 51 inches, with a pull lever to smoothly lower the table.



#### De-ashing Tools

De-ashing tools provide an efficient way to remove ashes from the cremator.

For removing hot ash from the chamber of the cremator straight into the ash box, ready to be processed in the cremulator unit.



#### Pet Cremulator

The cremulator processes the calcined bones of domestic animals and grinds them into a fine ash for returning to the owner.

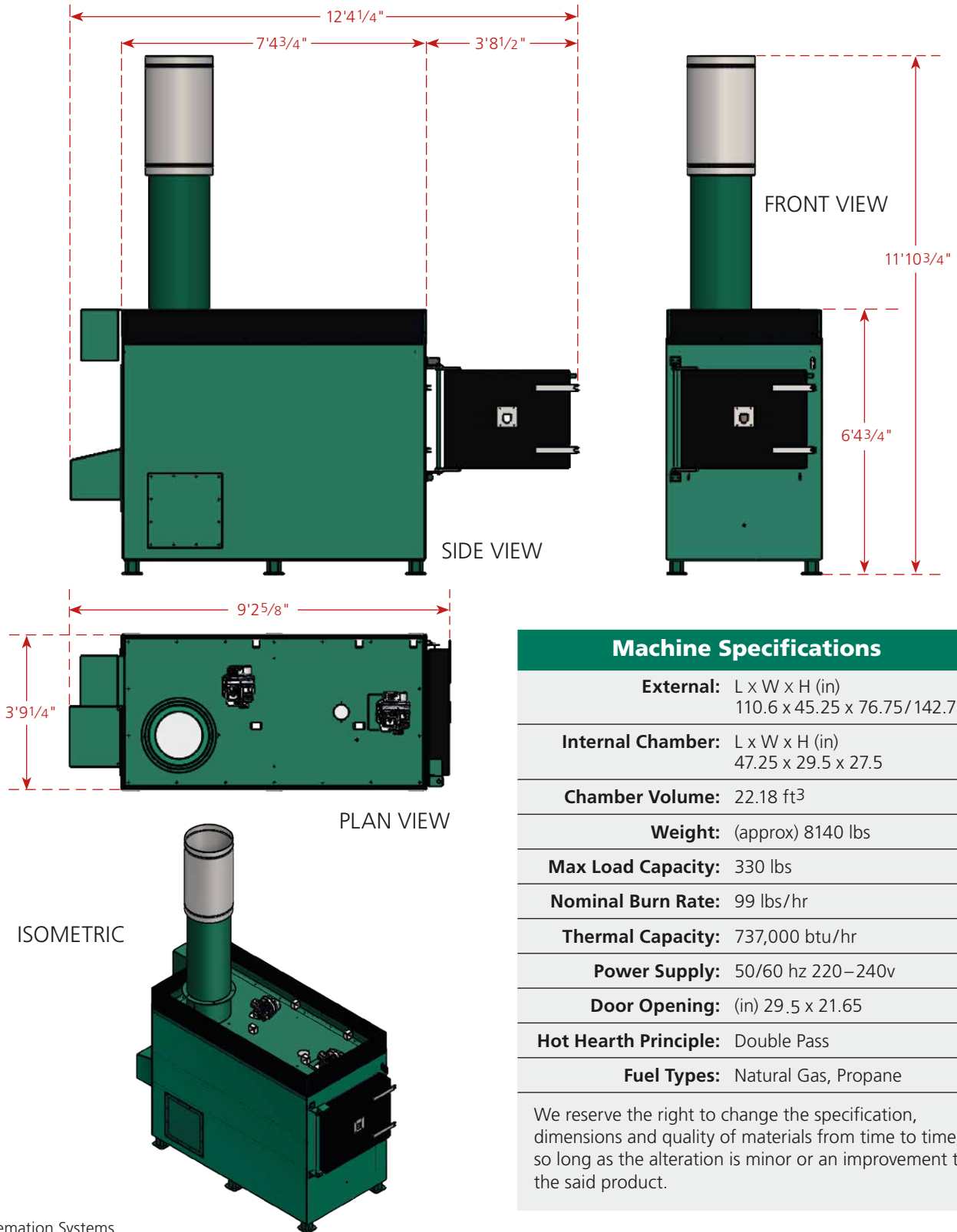
The pulverization takes 60 seconds from bone material to a final ash residue.

Distributed by  
Cremation Systems  
15660 South LaSalle Street  
South Holland, IL 60473

  
**Cremation Systems**<sup>™</sup>  
Division of Armil CFS, Inc.

© 2024, Cremation Systems

# PET200 Pet cremation machine for all house pets



Machine Specifications	
<b>External:</b>	L x W x H (in) 110.6 x 45.25 x 76.75/142.75
<b>Internal Chamber:</b>	L x W x H (in) 47.25 x 29.5 x 27.5
<b>Chamber Volume:</b>	22.18 ft <sup>3</sup>
<b>Weight:</b>	(approx) 8140 lbs
<b>Max Load Capacity:</b>	330 lbs
<b>Nominal Burn Rate:</b>	99 lbs/hr
<b>Thermal Capacity:</b>	737,000 btu/hr
<b>Power Supply:</b>	50/60 hz 220–240v
<b>Door Opening:</b>	(in) 29.5 x 21.65
<b>Hot Hearth Principle:</b>	Double Pass
<b>Fuel Types:</b>	Natural Gas, Propane

We reserve the right to change the specification, dimensions and quality of materials from time to time, so long as the alteration is minor or an improvement to the said product.

© 2024, Cremation Systems